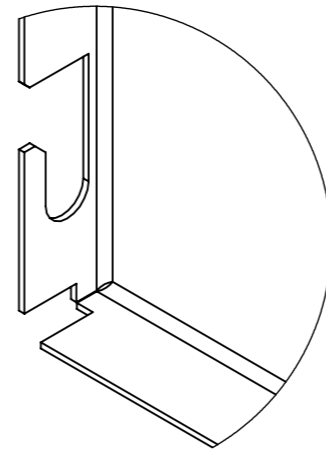
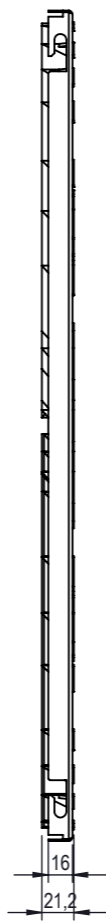
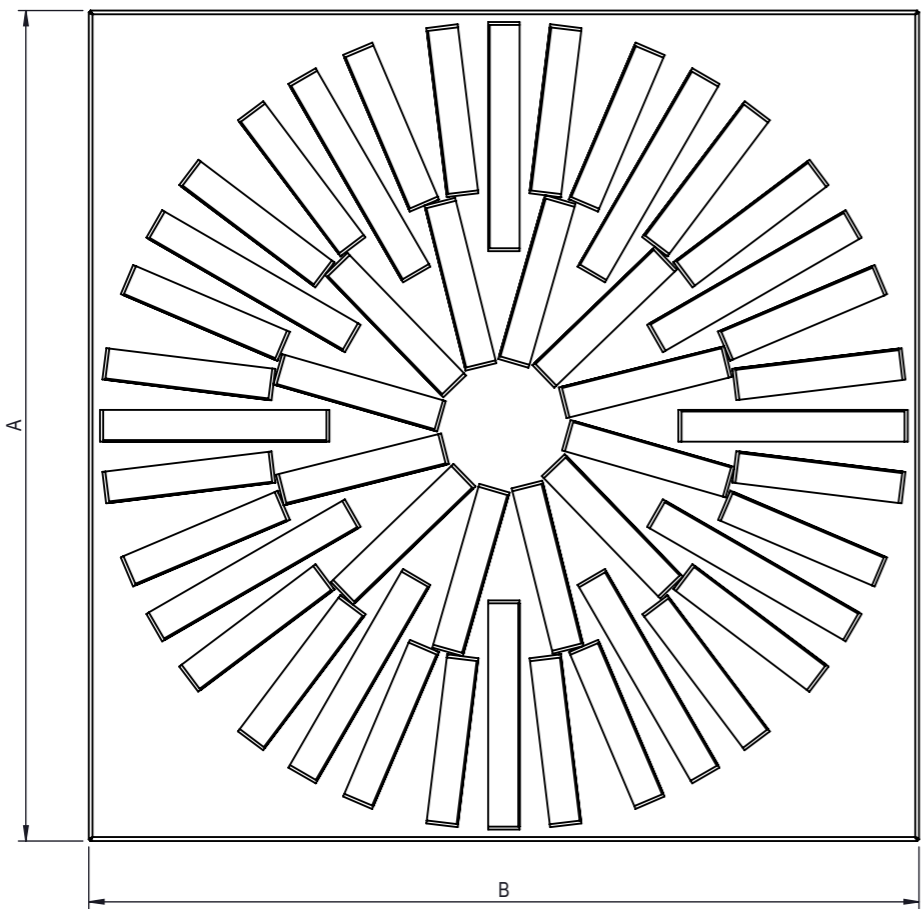


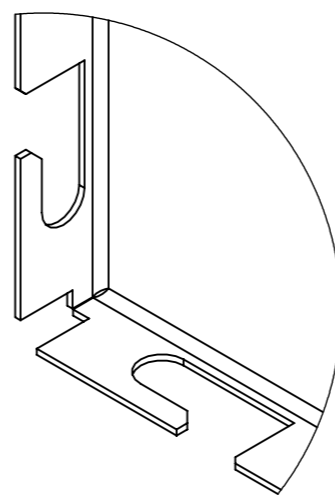
REVISION	DESCRIPTION	DATE	DESIGN	APPROVED
E	COMIC NUMBER CHANGED	11.09.2019	RIL	VPA

A  
B  
C  
D  
E  
F

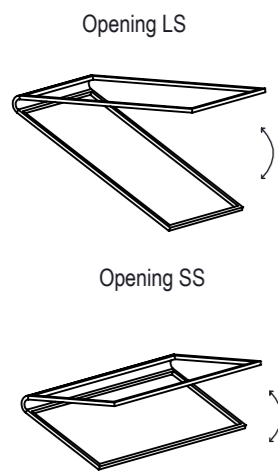
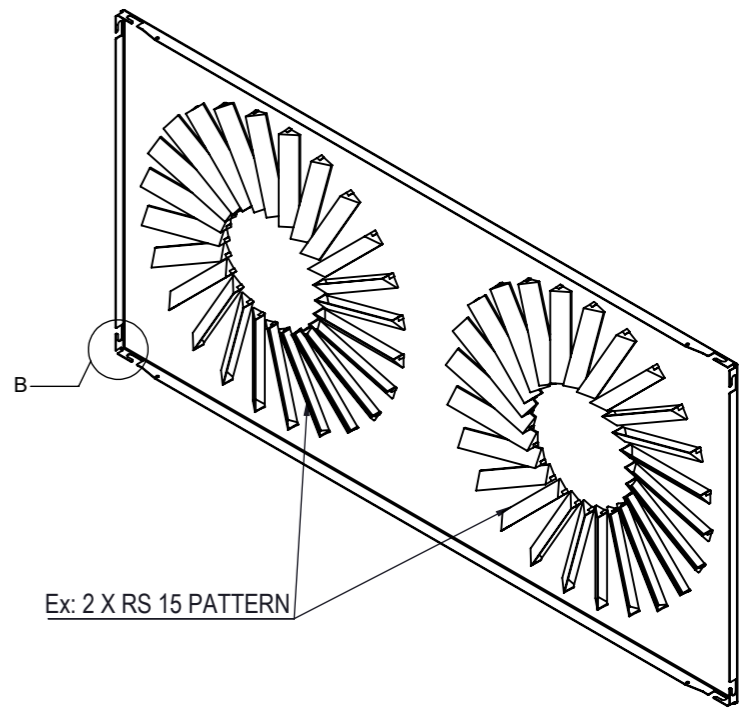
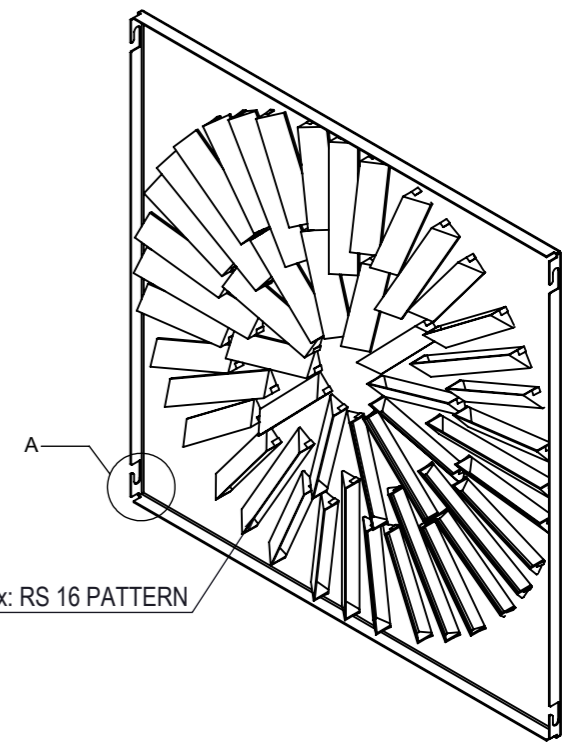
A  
B  
C  
D  
E  
F



DETAIL A



DETAIL B



Selection	Camfil Order Ref (EMC COMIC)	DRW	ITM	Pattern	Size	Model	A	B	Mass [kg]	Thickness	Material	Finish	Opening SS	Opening LS
<input type="checkbox"/>	FV255148609	687145	687145	RS15	3P3	CSL-SW15-3P3-304L	346	346	1	1	AISI 304L	RAW	-	-
<input type="checkbox"/>	FV255148634	18-105095	781836			CSL-SW15-3P3			Carbon Steel		RAL 9010	-	-	
<input type="checkbox"/>	FV255148638	18-105139	781840	RS15	3P6	CSL-SW15-3P6-AISI304L	346	651	1,9	1	AISI 304L	RAW	X	X
<input type="checkbox"/>	FV255148636	18-105099	781837			CSL-SW15-3P6			Carbon Steel		RAL 9010	X	X	
<input type="checkbox"/>	FV255148641	687171	687171	RS15	4P4	CSL-SW15-4P4-304L	498	498	1,98	1	AISI 304L	RAW	-	-
<input type="checkbox"/>	FV255148640	18-105111	781838			CSL-SW15-4P4			Carbon Steel		RAL 9010	-	-	
<input type="checkbox"/>	FV255130649	687199	687199	RS16	5P5	CSL-SW16-5P5	549	549	2,06	1	Carbon Steel	RAL 9010	-	-
<input type="checkbox"/>	FV255148619	687205	687205			CSL-SW16-5P5-304L			AISI 304L		RAW	-	-	
<input type="checkbox"/>	FV255130650	687241	687241	RS16	6P6	CSL-SW16-6P6	651	651	3,07	1	Carbon Steel	RAL 9010	-	-
<input type="checkbox"/>	FV255148623	687243	687243			CSL-SW16-6P6-304L			AISI 304L		RAW	-	-	
<input type="checkbox"/>	FV255148632	18-104007	686223	RS16	9P6	CSL-SW16-9P6	956	651	4,76	1	Carbon Steel	RAL 9010	X	X
<input type="checkbox"/>	FV255148633	18-105169	781845			CSL-SW16-9P6-AISI 304 L			AISI 304L		RAW	X	X	
<input type="checkbox"/>	FV255148626	18-102993	686166	RS16_1	9P9	CSL-SW16/1-9P9	956	956	6,39	1	Carbon Steel	RAL 9010	-	-
<input type="checkbox"/>	FV255148627	18-105189	781842			CSL-SW16/1-9P9-AISI 304L			AISI 304L		RAW	-	-	
<input type="checkbox"/>	FV255148602	687448	687448	2 x RS15	11P5	CSL-2SW15-11P5-304L	549	1149	4,7	1	AISI 304L	RAW	X	X
<input type="checkbox"/>	FV255148604	687428	687428	2 x RS15	12P6	CSL-2SW15-12P6-304L	651	1261	6,43	1	AISI 304L	RAW	X	X

- Approved
- Approved as noted
- Revise and Resubmit

NAME: \_\_\_\_\_ SIGNATURE: \_\_\_\_\_  
 COMPANY: \_\_\_\_\_ DATE: \_\_\_\_\_



DESCRIPTION Front Plate V2 for Cleanseal, Camseal 1, Camseal 2 and Pharmaseal EU SWIRL - ABS ADJUSTABLE			
PROJECT -	LAST REVISION 11.09.2019	WEIGHT -	
DRAWING REF. Customer Drawing - CL V2 - SW adj	SHEET 1/1	SIZE A3	

NB: The copyright of this drawing remains with Camfil. Contents must not be used, copied or disclosed to third parties without prior written consent. All rights reserved.

1 2 3 4 5 6 7 8